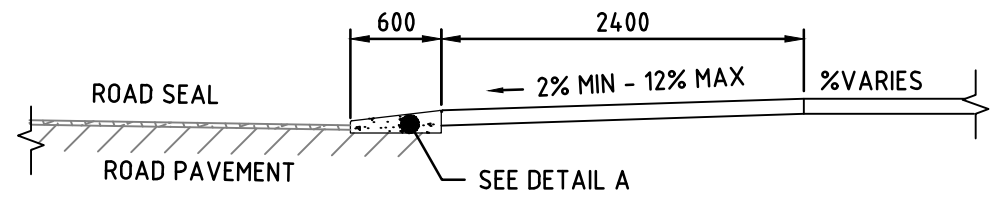
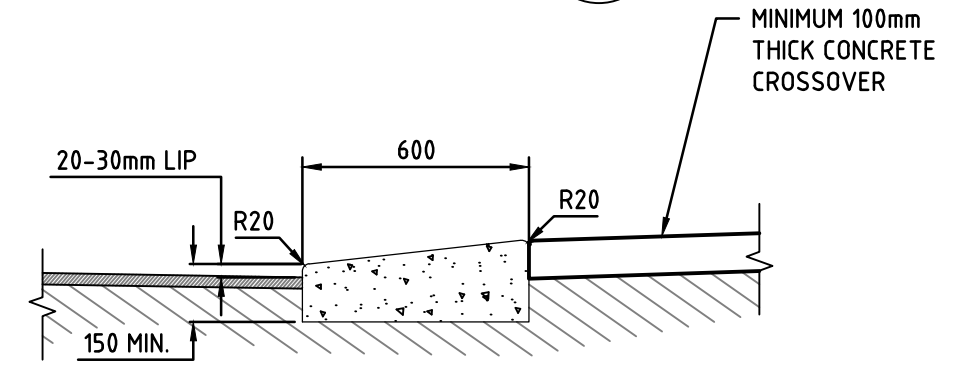


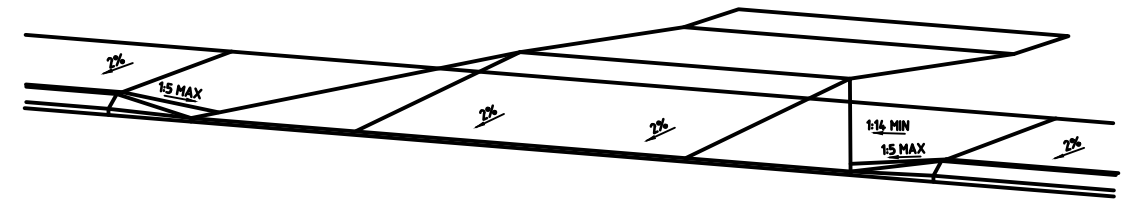
PLAN VIEW
SCALE 1:50



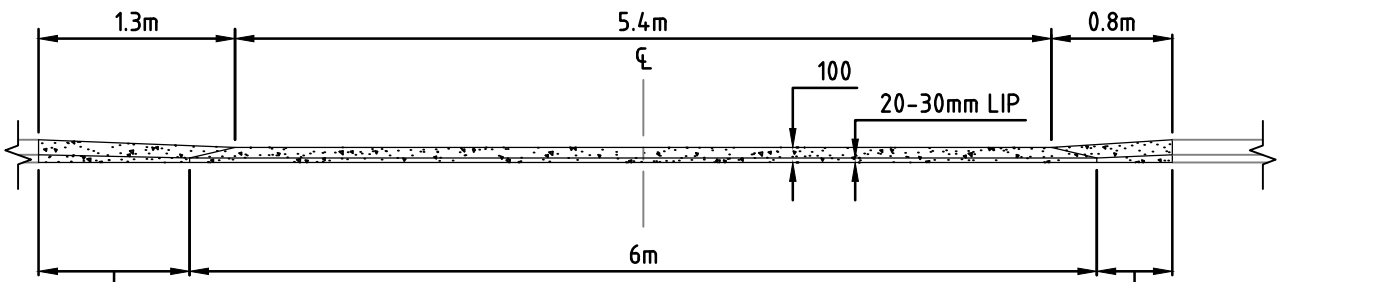
SECTION B
SCALE 1:50



DETAIL A
SCALE 1:20



3D VIEW
SCALE N.T.S



SECTION A
SCALE 1:50

CONCRETE NOTES

1. CONCRETE SHALL BE MINIMUM 100mm THICK & COMPLY WITH AUSTRALIAN STANDARD 1379-2007 FOR READY MIXED CONCRETE WITH A BROOM FINISH.
2. HAVE A MINIMUM COMPRESSIVE STRENGTH OF 32Mpa AT 28 DAYS.
3. HAVE A MAXIMUM AGGREGATE SIZE OF 20mm.
4. HAVE A 80mm SLUMP AT POINT OF DELIVERY.
5. NOT TO HAVE SEASONAL ADMIXTURES UNLESS SPECIFICALLY REQUESTED.
6. SPECIFICATIONS ARE FOR RESIDENTIAL CROSSOVERS ONLY
7. WHERE PROPERTY IS LOWER THAN ROAD, 2m OF 2% FALL TOWARD ROAD IS TO BE PROVIDED ON CROSSOVER.

1. DIMENSIONS IN MILLIMETRES UNLESS OTHERWISE NOTED

No.	REVISION	ENGINEER	APPROVED.	DATE
C	UPDATED	PS		11/22
B	NOTES AMMENDED AND REVISED	RN		09/17
A	ISSUED FOR REVIEW	JA	X	01/17



7000 Great Eastern Highway Mundaring WA 6073
T: 9290 6666 F: 9295 3288
www.mundaring.wa.gov.au

Drawn	RN	Design	JA
Draft Check		Engineer Check	
Approved			
Scale	AS SHOWN	Datum	MGA 94, AHD
In the absence of the APPROVED signature this drawing shall be treated as PRELIMINARY.			

Project		MUNDARING STANDARD DETAIL	
Title		CONCRETE APRON DETAIL	
Size	A3	Drg. No.	MSD-XO-0001
Rev			B